

Kidde Fire Systems Component Description

Electric Control Head Kit

with Control Head Monitor, P/N: 85-890181-200



Effective: April 2024
K-85-3001 Rev AJ

FEATURES

- UL Listed, ULC Listed, and FM Approved for use with systems listed in the Table, "COMPATIBILITY", on page 2.

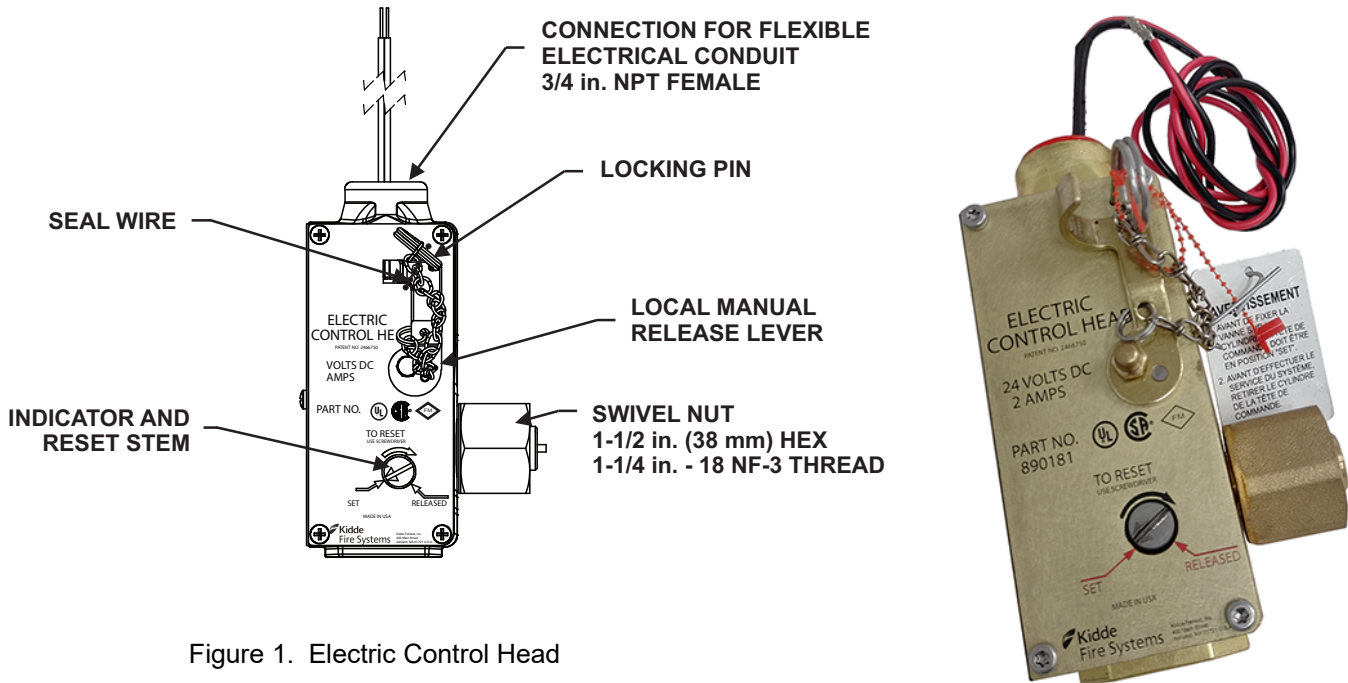


Figure 1. Electric Control Head

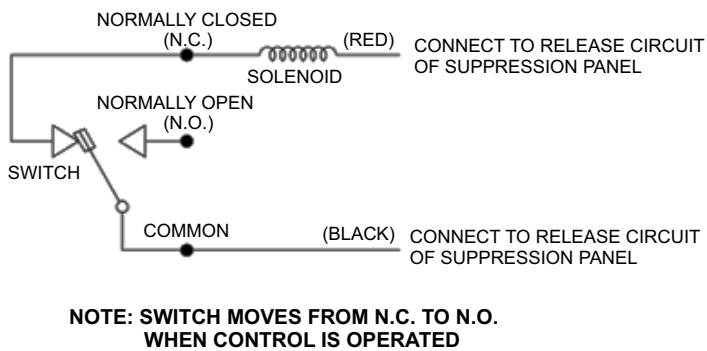


Figure 2. Wiring Diagram for Electric Control Head

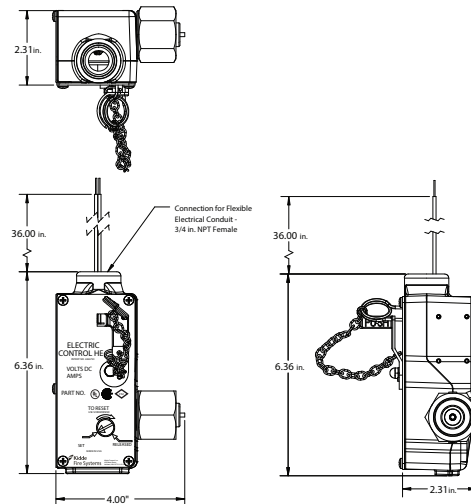


Figure 3. Electric Control Head Dimensions

Table 1: Electric Control Head Specifications

Part Number	Voltage	Amps	Wire Lead Length	Remarks
WK-890181-200	24 VDC	2.0	36 in. (914 mm)	See panel manual for compatibility

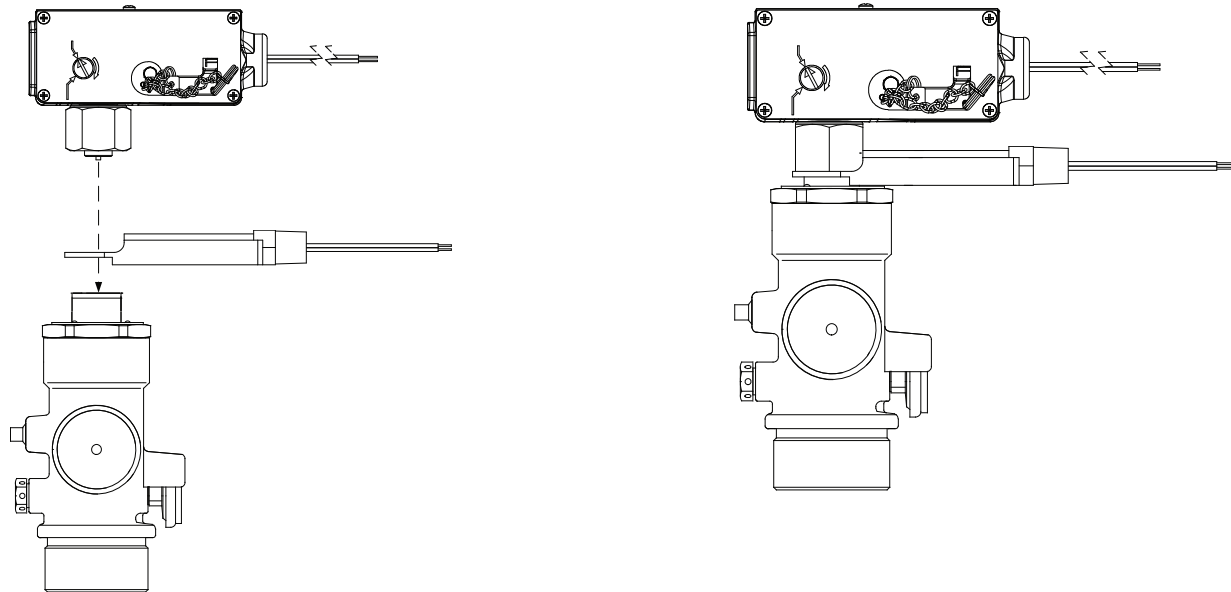


Figure 4. Electric Control Head and Control Head Monitor Installation

COMPATIBILITY

Series	DIOM P/N	Supplement P/N	Approval
Kidde Fire Systems ECS-500™ System	06-237585-001	N/A	UL, ULC, FM
Kidde Fire Systems ECS™ 360 for use with Fluoroketone Fire Suppression Agents	06-236553-001	N/A	UL, ULC, FM
Kidde Fire Systems ADS™ for use with Fluoroketone Fire Suppression Agents	06-237256-001	N/A	UL, ULC, FM
Kidde Fire Systems ECS™ 360 with HFC-227ea Agent	06-236115-001	06-236115-003	UL, ULC, FM
Kidde Fire Systems Modular ECS™ 360 with HFC-227ea Agent	06-236116-001	06-236116-002	UL, ULC, FM
Kidde Fire Systems ADS™ with HFC-227ea Agent	06-236068-001	06-236068-003	UL, ULC, FM
Kidde Fire Systems FE-13™ Engineered Suppression System	06-236169-002	06-236169-003	UL
Kidde Fire Systems FE-13™ Modular Engineered Suppression System	06-236193-001	06-236193-002	UL
Kidde Fire Systems Natura™ Inert Gas System (for use on N2 Pilot Cylinders used with discharge delay)	06-237619-001	N/A	UL, FM

Note: Agency listings also apply the Fenwal Engineered Fire Suppression Systems, when the Control Head Monitor is used on these legacy product lines.

ORDER INFORMATION

Part Number	Description
85-890181-200	Kit, Includes: <ul style="list-style-type: none"> Electrical Control Head, 24 VDC, P/N WK-890181-200 Control Head Monitor, P/N 85-100000-100 (for more information, see data sheet K-85-3000)

EXPORT INFORMATION (USA)

Jurisdiction: EAR

Classification: EAR99

This document contains technical data subject to the EAR.

All trademarks are the property of their respective owners.

This literature is provided for informational purposes only. KIDDE-FENWAL, INC. believes this data to be accurate, but it is published and presented without any guarantee or warranty whatsoever. KIDDE-FENWAL, INC. assumes no responsibility for the product's suitability for a particular application. The fire suppression system design, installation, maintenance, service and troubleshooting must be performed by trained, authorized Kidde Fire Systems distributors for the product to work correctly. If you need more information on this product, or if you have a particular problem or question, contact: KIDDE-FENWAL, INC., Ashland, MA 01721 USA, Telephone: (508) 881-2000.